

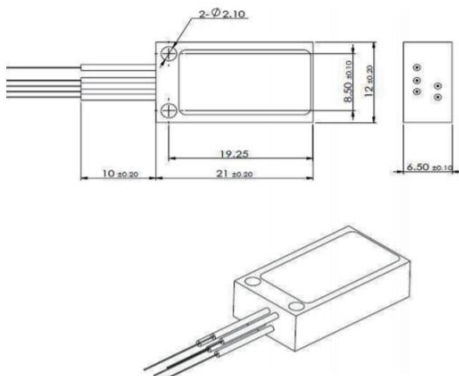
## 4CH LWDM Module

<b>Features</b>	
Ultra Compact Based on TFF technology One side fiber feedthrough Low Insertion Loss	
<b>Application</b>	
Integrated into high speed Multiwavelength Transceiver Portable Testing equipment	

### Specifications

Channels Number		CH	4
Channel Wavelength	CH1	nm	1295.56(1294.53-1296.59)
	CH2		1300.58(1299.02-1301.09)
	CH3		1304.58(1303.54-1305.63)
	CH4		1309.14(1308.09-1310.19)
Channel Spacing		GHz	800
Pass Bandwidth		nm	$\lambda_c \pm 1.1$ (Min.)
Insertion loss		dB	$\leq 1.9$
Isolation	Adjacent	dB	$\geq 25$
	Non-adjacent	dB	$\geq 35$
Channel Ripple		dB	$\leq 0.5$
PDL		dB	$\leq 0.5$
Return Loss		dB	$\geq 45$
Directivity		dB	$\geq 50$
Operating Power		mw	500
Fiber type		/	900um loose tube or 250um bare fiber, G657A1
Fiber length		m	1.0+/-0.05
Operating Temperature		°C	-10~+70
Storage Temperature		°C	-40~+85
Package size		mm	L21×W12.9×H6.4

### Package Dimensions



**Ordering Information:**

LWDM	Channel Type	1 <sup>st</sup> ITU Channel	Pigtail Type	Fiber Type	Length	Connector
	4=4ch	1295=1295.56/1300.58/1304.58/1309.14	1=900um loose tube	1=SMF-28e	1= 1m X=Specify	NE=None FA=FC/APC FC=FC/UPC SA=SC/APC SC=SC/UPC LC=LC/UPC LA=LC/APC XX=Other